

TS 25HR

High resolution tweeter

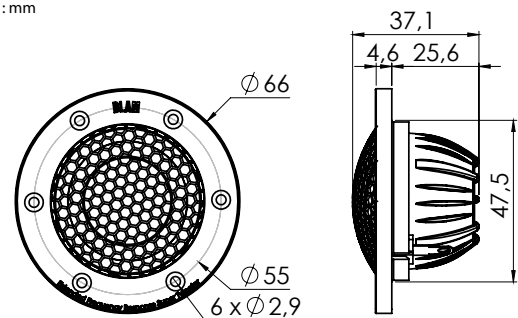
- 4 ohm, Neo magnet
- 25mm (1") textile dome diaphragm
- High efficiency magnet (N38H neodymium)
- Precision machined aluminum front plate
- Low resonance rear chamber
- Large roll surround f. wide dispersion
- Sound transparent protective grill



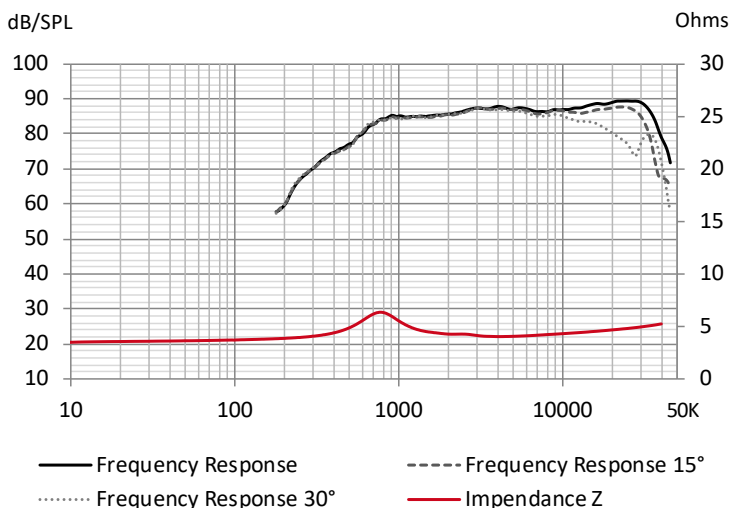
TECHNICAL SPECIFICATIONS

Component	Tweeter	
Max power	100 W	
Nominal power	15 W	
Impedance	4 Ω	
Freq. Response	1,5 KHz - 40 KHz	
Sensitivity (2,83V/1m)	90,1 dB	
Magnet	Neodymium	
Magnet size Ø x h	24 x 3 mm	0,945" x 0,118"
Total driver displacement	-	-
Weight of one component	0,09 kg	0,198 lb
Voice coil Ø	25 mm	0,984"
Voice coil height	1,8 mm	0,071"
Cone	Soft	

Unit : mm



FREQUENCY RESPONSE / IMPEDANCE



THIELE-SMALL PARAMETERS

effective Ø (d)	32 mm
Sd	8,04 cm ²
Xmax	-
Re	3,6 Ω
Fs	785,24 Hz
Le	-
L2	-
Vas	-
Mms	-
Cms	-
BL	-
Qts	-
Qes	-
Qms	-
Sensitivity (dB/W/m)	86,6 dB