

## TS 25HR

### High resolution tweeter

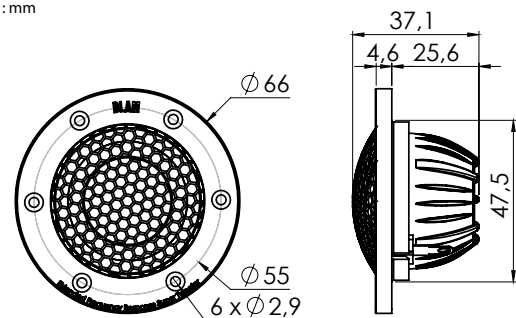
- 4 ohm, Neo magnet
- 25mm (1") textile dome diaphragm
- High efficiency magnet (N38H neodymium)
- Precision machined aluminum front plate
- Low resonance rear chamber
- Large roll surround f. wide dispersion
- Sound transparent protective grill



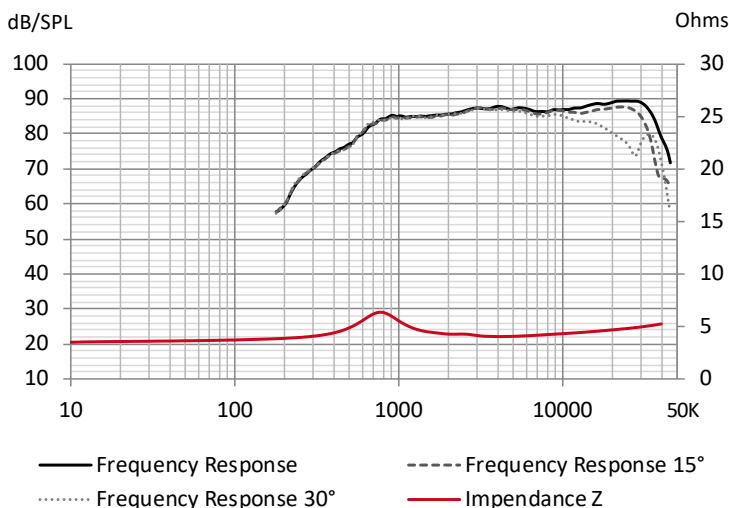
#### TECHNICAL SPECIFICATIONS

<b>Component</b>	Tweeter	
<b>Max power</b>	100 W	
<b>Nominal power</b>	15 W	
<b>Impedance</b>	4 Ω	
<b>Freq. Response</b>	1,5 KHz - 40 KHz	
<b>Sensitivity (2,83V/1m)</b>	90,1 dB	
<b>Magnet</b>	Neodymium	
<b>Magnet size Ø x h</b>	24 x 3 mm	0,945" x 0,118"
<b>Total driver displacement</b>	-	-
<b>Weight of one component</b>	0,09 kg	0,198 lb
<b>Voice coil Ø</b>	25 mm	0,984"
<b>Voice coil height</b>	1,8 mm	0,071"
<b>Cone</b>	Soft	

Unit : mm



#### FREQUENCY RESPONSE / IMPEDANCE



#### THIELE-SMALL PARAMETERS

<b>effective Ø (d)</b>	32 mm
<b>Sd</b>	8,04 cm <sup>2</sup>
<b>Xmax</b>	-
<b>Re</b>	3,6 Ω
<b>Fs</b>	785,24 Hz
<b>Le</b>	-
<b>L2</b>	-
<b>Vas</b>	-
<b>Mms</b>	-
<b>Cms</b>	-
<b>BL</b>	-
<b>Qts</b>	-
<b>Qes</b>	-
<b>Qms</b>	-
<b>Sensitivity (dB/W/m)</b>	86,6 dB