

# TSM 25 Mg 70

## HIGH RESOLUTION TWEETER

- 25mm (1") Pur Magnesium dome tweeter
- High efficiency neodymium magnet N48H
- High precision Machined Aluminium front plate
- Sound transparent protective grill
- Low resonance rear chamber

### Made in France

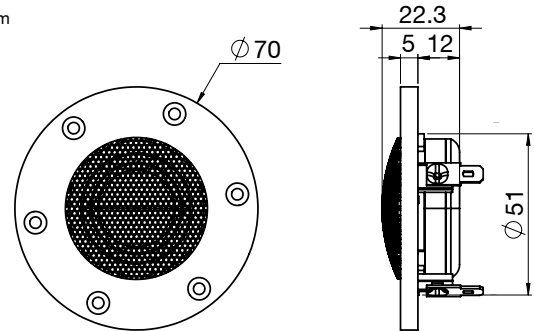
Available in two colors : black and gold  
Extended frequency up to 43KHz

### TECHNICAL SPECIFICATIONS

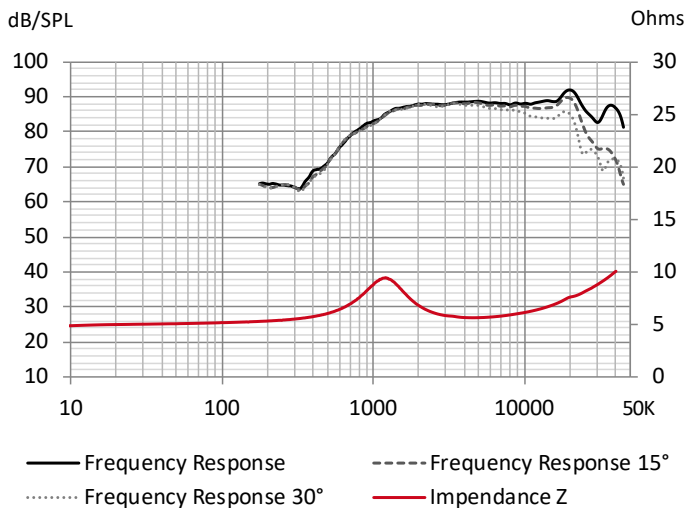
<b>Component</b>	Tweeter	
<b>Max power</b>	100 W	
<b>Nominal power</b>	15 W	
<b>Impedance</b>	5 Ω	
<b>Freq. Response</b>	1.18 KHz - 43 KHz	
<b>Sensitivity (2,83V/1m)</b>	89.8 dB	
<b>Magnet</b>	Neodymium	
<b>Magnet size Ø x h</b>	40 x 6 mm	1.575" x 0.236"
<b>Total driver displacement</b>	-	-
<b>Weight of one component</b>	0.15 kg	0.331 lb
<b>Voice coil Ø</b>	25 mm	0.984"
<b>Voice coil height</b>	1.8 mm	0.071"
<b>Dome</b>	Magnesium	



Unit : mm



### FREQUENCY RESPONSE / IMPEDANCE



### THIELE-SMALL PARAMETERS

<b>Effective Ø (d)</b>	32 mm
<b>Sd</b>	8.04 cm <sup>2</sup>
<b>Xmax</b>	-
<b>Re</b>	5 Ω
<b>Fs</b>	1207 Hz
<b>Le</b>	-
<b>L2</b>	-
<b>Vas</b>	-
<b>Mms</b>	-
<b>Cms</b>	-
<b>BL</b>	-
<b>Qts</b>	-
<b>Qes</b>	-
<b>Qms</b>	-
<b>Sensitivity (dB/W/m)</b>	87.8 dB