

RELAX

Guy Bonneville

BLAM

DRIVEN BY PASSION

200 RS

Woofer

Hi-Efficiency 200 mm (8")
Woofer shallow special replacement of OEM speaker

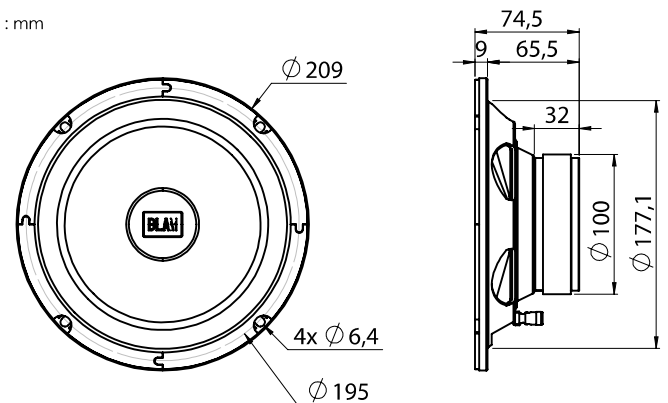
- Woofer 200mm (8")
- Max power 200 W / Nom. power 100 W
- Sensitivity (2.83V/1m) 92.4 dB
- Impedance 3 Ohms

TECHNICAL SPECIFICATIONS

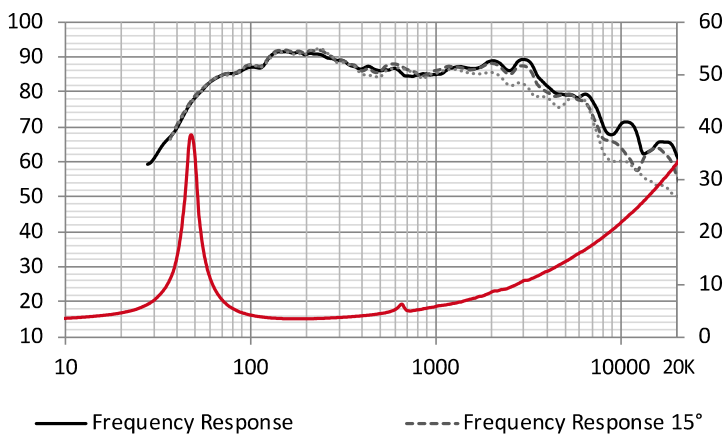
| Component | Speakers | |
|---------------------------|-----------------|----------------|
| Max power | 200 W | |
| Nominal power | 100 W | |
| Impedance | 3 Ω | |
| Freq. Response | 50 Hz - 3.5 KHz | |
| Sensitivity (2,83V/1m) | 92.4 dB | |
| Magnet | Ferrite | |
| Magnet size Ø x h | 80 x 15 mm | 3.15" x 0.591" |
| Total driver displacement | 0.8 l | 0.028 cf |
| Weight of one component | 1.81 kg | 3.990 lb |
| Voice coil Ø | 28 mm | 1.102" |
| Voice coil height | 11 mm | 0.433" |
| Cone | Cellulose pulp | |



Unit : mm



FREQUENCY RESPONSE / IMPEDANCE



THIELE-SMALL PARAMETERS

| | |
|----------------------|------------------------|
| effective Ø (d) | 165 mm |
| Sd | 213.82 cm ² |
| Xmax | 3 mm |
| Re | 3 Ω |
| Fs | 47.85 Hz |
| Le | 152.32 µH @ 1 kHz |
| Le | 450.47 µH @10 kHz |
| Vas | 23.14 L |
| Mms | 30.70 g |
| Cms | 0.000360 m/N |
| BL | 6.90 Tm |
| Qts | 0.54 |
| Qes | 0.59 |
| Qms | 7.02 |
| Sensitivity (dB/W/m) | 88.2 dB |

contact@blam-audio.fr
www.facebook.com/blamaudio
www.blam-audio.fr