

R80

Mid-range

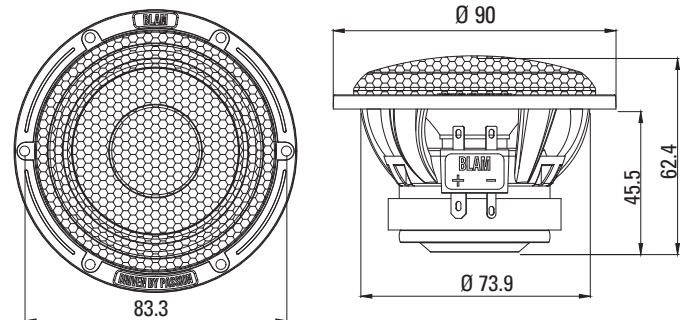
- 80 mm (3") mid-range
- Max. power 100 W / Nominal Power 50 W
- Frequency response 150 Hz - 23 kHz
- Impedance 3 Ω



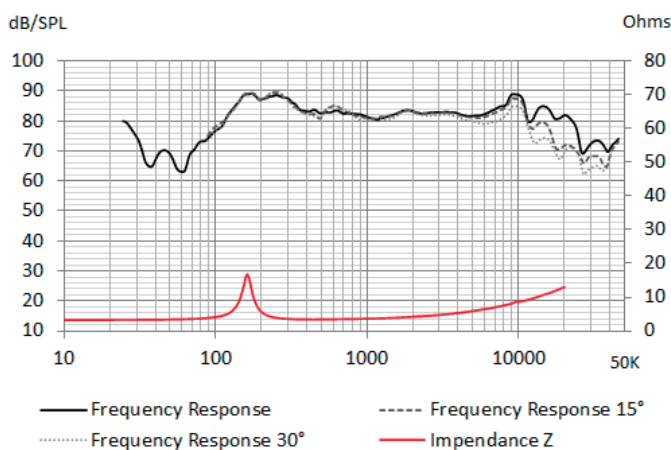
TECHNICAL SPECIFICATIONS

Component	Mid-range	
Max power	100 W	
Nominal power	50 W	
Impedance	3 Ω	
Freq. Response	150 Hz - 23 kHz	
Sensitivity (2,83V/1m)	86.5 dB	
Magnet	Ferrite	
Magnet size Ø x h	55 x 10 mm	2.165" x 0.394"
Total driver displacement	0.057 l	0.002 cf
Weight of one component	0.315 kg	0.694 lb
Voice coil Ø	20 mm	0.787"
Voice coil height	5.9 mm	0.232"
Cone	Cellulose pulp	

Unit : mm



FREQUENCY RESPONSE / IMPEDANCE



THIELE-SMALL PARAMETERS

effective Ø (d)	60 mm
Sd	55.42 cm ²
Xmax	1 mm
Re	3.15 Ω
Fs	161.64 Hz
Le	74.71 μH @ 1 kHz
L2	109.43 μH @ 10 kHz
Vas	0.46 L
Mms	2.37 g
Cms	0.000408 m/N
BL	2.1 Tm
Qts	1.39
Qes	1.72
Qms	7.30