

## MS 3

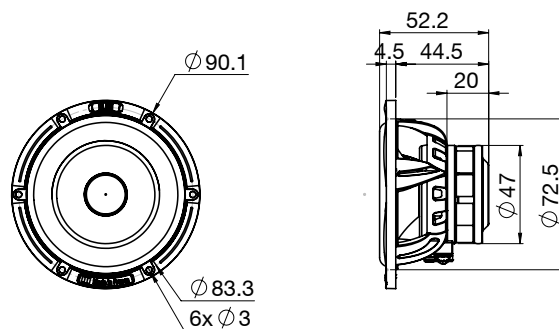
### EXTENDED FREQUENCY SPEAKER

- Full-range driver 3" (80mm)
- Max. power: 100 W / Nom. power: 25 W
- Frequency response 120 Hz - 32 KHz
- Impedance 3 Ohms

Die cast aluminium basket - Ultra rigid carbon fiber cone - NBR surround - Long life «conex» spider - 20 mm Voice coil - Fiber glass former - Oversized neodymium Multi-Stick magnetic motor - Aluminium phase plug - Paired products to +/- 1dB.

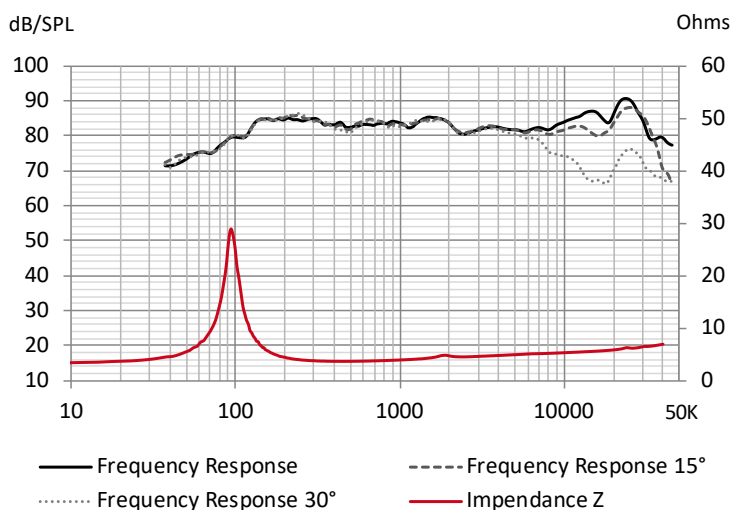


Unit : mm



<b>Component</b>	Midrange	
<b>Max power</b>	100 W	
<b>Nominal power</b>	25 W	
<b>Impedance</b>	3 Ω	
<b>Freq. Response</b>	120 Hz - 32 KHz	
<b>Sensitivity (2,83V/1m)</b>	88 dB	
<b>Magnet</b>	Neodymium	
<b>Magnet size Ø x h</b>	8x 9 x 10 mm	8x 0.354" x 0,394"
<b>Total driver displacement</b>	0.060 l	0.002 cf
<b>Weight of one component</b>	0.328 kg	0.723 lb
<b>Voice coil Ø</b>	20 mm	0.787"
<b>Voice coil height</b>	6 mm	0.236"
<b>Cone</b>	Carbon fiber	

### FREQUENCY RESPONSE / IMPEDANCE



### THIELE-SMALL PARAMETERS

<b>Effective Ø (d)</b>	61 mm
<b>Sd</b>	29.22 cm <sup>2</sup>
<b>Xmax</b>	1 mm
<b>Re</b>	3.44 Ω
<b>Fs</b>	94.82 Hz
<b>Le</b>	16.11 µH @1 kHz
<b>L2</b>	186.90 µH @10 kHz
<b>Vas</b>	1.47 L
<b>Mms</b>	2.3 g
<b>Cms</b>	0.001227 m/N
<b>BL</b>	2.52 Tm
<b>Qts</b>	0.65
<b>Qes</b>	0.74
<b>Qms</b>	5.44
<b>Sensitivity (dB/W/m)</b>	84.1 dB