

# Signature

Guy Bonneville

# BLAM

DRIVEN BY PASSION

## WS 6.80 C

### High sensitivity coaxial speaker

- Woofer 6-1/2" (165 mm) - Tweeter 25 mm
- Max power 120 W / Nom. power 60 W
- Frequency response 60 Hz - 30 KHz
- Impedance 2 Ohms

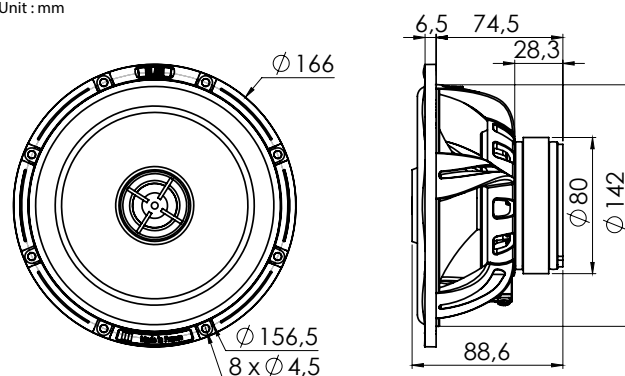
Die cast aluminum basket - Ultra rigid carbon fiber cone - IIR surround - Long life « conex » spider - 28 mm Voice Coil, fiber glass former - 80 mm x 15 mm Magnetic motor - Machined pole pieces - Gold-plated terminal.

#### TECHNICAL SPECIFICATIONS

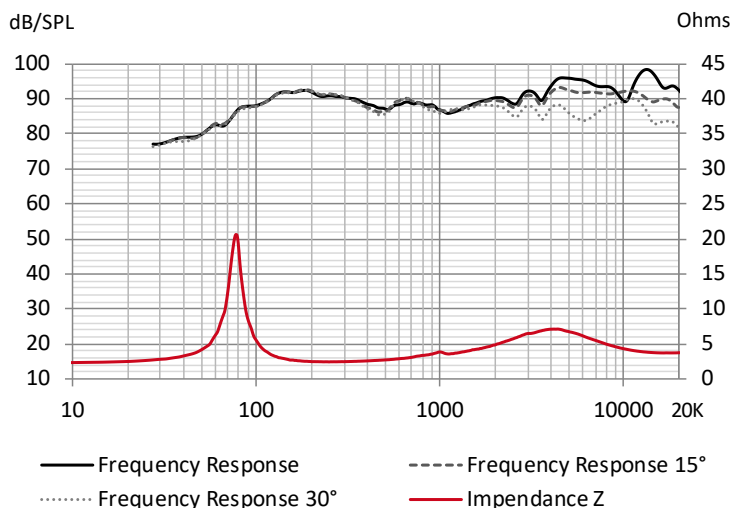
<b>Component</b>	Speaker	
<b>Max power</b>	120 W	
<b>Nominal power</b>	60 W	
<b>Impedance</b>	2 Ω	
<b>Freq. Response</b>	60 Hz - 30 KHz	
<b>Sensitivity (2,83V/1m)</b>	94,3 dB	
<b>Magnet</b>	Ferrite	
<b>Magnet size Ø x h</b>	80 x 15 mm	3,150" x 0,591"
<b>Total driver displacement</b>	0,3 l	0,011 cf
<b>Weight of one component</b>	1 kg	2,205 lb
<b>Voice coil Ø</b>	28 mm	1,102"
<b>Voice coil height</b>	12 mm	0,472"
<b>Cone</b>	Carbon fiber	



Unit : mm



#### FREQUENCY RESPONSE / IMPEDANCE



#### THIELE-SMALL PARAMETERS

<b>effective Ø (d)</b>	128 mm
<b>Sd</b>	128,68 cm <sup>2</sup>
<b>Xmax</b>	4 mm
<b>Re</b>	2,1 Ω
<b>Fs</b>	80,41 Hz
<b>Le</b>	80,24 µH @ 1 kHz
<b>L2</b>	209,66 µH @ 10 kHz
<b>Vas</b>	8,84 L
<b>Mms</b>	10,31 g
<b>Cms</b>	0,000380 m/N
<b>BL</b>	3,69 Tm
<b>Qts</b>	0,81
<b>Qes</b>	0,90
<b>Qms</b>	7,45
<b>Sensitivity (dB/W/m)</b>	88,5 dB

contact@blam-audio.fr  
www.facebook.com/blamaudio  
www.blam-audio.com