

Signature

Guy Bonneville

BLAM

DRIVEN BY PASSION

FRS 3N50

Extended frequency speaker

- Full-range driver 3" (80mm)
- Max. power: 100 W / Nom. power: 25 W
- Frequency response 200 Hz - 28 KHz
- Impedance 3 Ohms

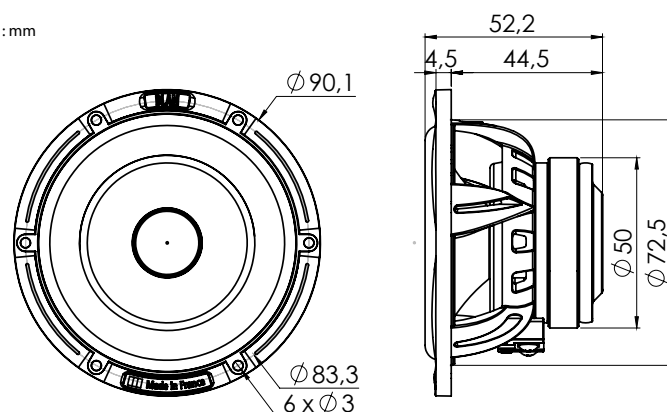
Die cast aluminum Basket - Ultra rigid carbon fiber cone - IIR surround - Long life "conex" spider - 20mm Voice Coil, fiber glass former - Oversized neodymium ring Magnetic motor - Aluminum phase plug - Products matched to + -1 dB



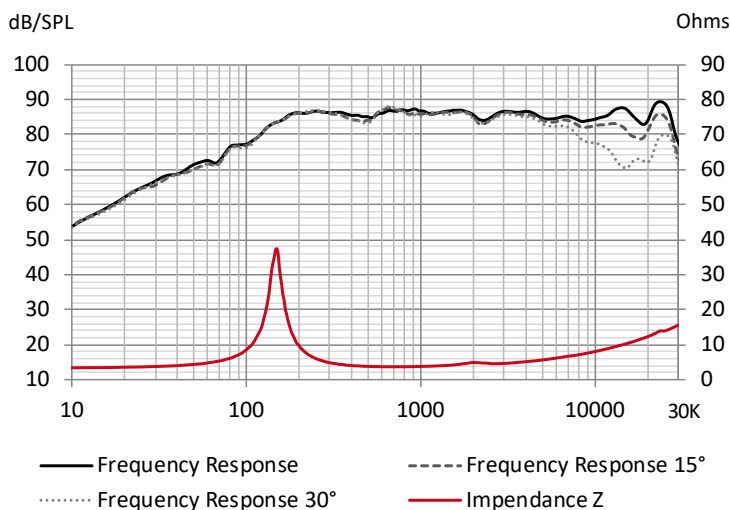
TECHNICAL SPECIFICATIONS

Component	Midrange	
Max power	100 W	
Nominal power	25 W	
Impedance	3 Ω	
Freq. Response	200 Hz - 28 KHz	
Sensitivity (2,83V/1m)	91 dB	
Magnet	Neodymium	
Magnet size Ø x h	50 x 9 mm	1,969" x 0,354 "
Total driver displacement	0,053 l	0,002 cf
Weight of one component	0,298 kg	0,657 lb
Voice coil Ø	20 mm	0,787"
Voice coil height	6 mm	0,236"
Cone	Carbon fiber	

Unit : mm



FREQUENCY RESPONSE / IMPEDANCE



THIELE-SMALL PARAMETERS

effective Ø (d)	61 mm
Sd	29,22 cm ²
Xmax	1,00 mm
Re	3 Ω
Fs	147,24 Hz
Le	54,01 µH @1 kHz
L2	115,04 µH @10 kHz
Vas	0,63 L
Mms	2,21 g
Cms	0,000528 m/N
BL	3,34 Tm
Qts	0,55
Qes	0,61
Qms	6,20
Sensitivity (dB/W/m)	86,6 dB

contact@blam-audio.fr
www.facebook.com/blamaudio
www.blam-audio.com